



Model CX3000

ICCS System For Airwave, UHF, VHF Radio & Telephony

- Police and Fire Brigades
- Security and Public Safety
- Utility and Energy Companies
- Railways and Airlines
- Forestry and Environment
- Agencies

CX3000 is a multi-channel, multi-operator radio and telephone switching system designed for use in communication control centres. It consists of a central cabinet containing a communications server based on a rack mounted industrial computer. The server contains system programs and database. A variety of interface cards provide for terminating different circuits, analogue and digital. The server manages the communications and connections to users. Access to communication services is provided to system operators equipped with personal computers and touch screens. The CX3000 is a highly customisable solution for specialist requirements.

FEATURES

Operators :

Loudspeaker volume, Earpiece volume (radio), Earpiece volume (telephone), Tetra talk group volume, Loudspeaker on/off
Call alerts on/off, Emergency alert on/off
Message alert on/off, Split headset working on/off, Engineering tone on/off

Local Recording

Auto Start, Fast forward and rewind, Playback via headset, Fast playback, Record and playback by call list.

Control of Tetra Radio : (For the Airwave Service)

Display up to 5 talk groups at a time. Caller identity (alias & friendly name). Call stacking with status display. Dynamic Talk group directory. Select and PTT, Private call, Broadcast call. Monitor (unselected), Connect & patch. Radio check, DGNA, ambient listening
Emergency calls from mobiles. SDS text messaging with log.

Telephony

Emulation of digital extensions for Nortel & Siemens, direct control of analogue extensions and PSTN. Make lines
Outgoing Only, Incoming Only or both way working.

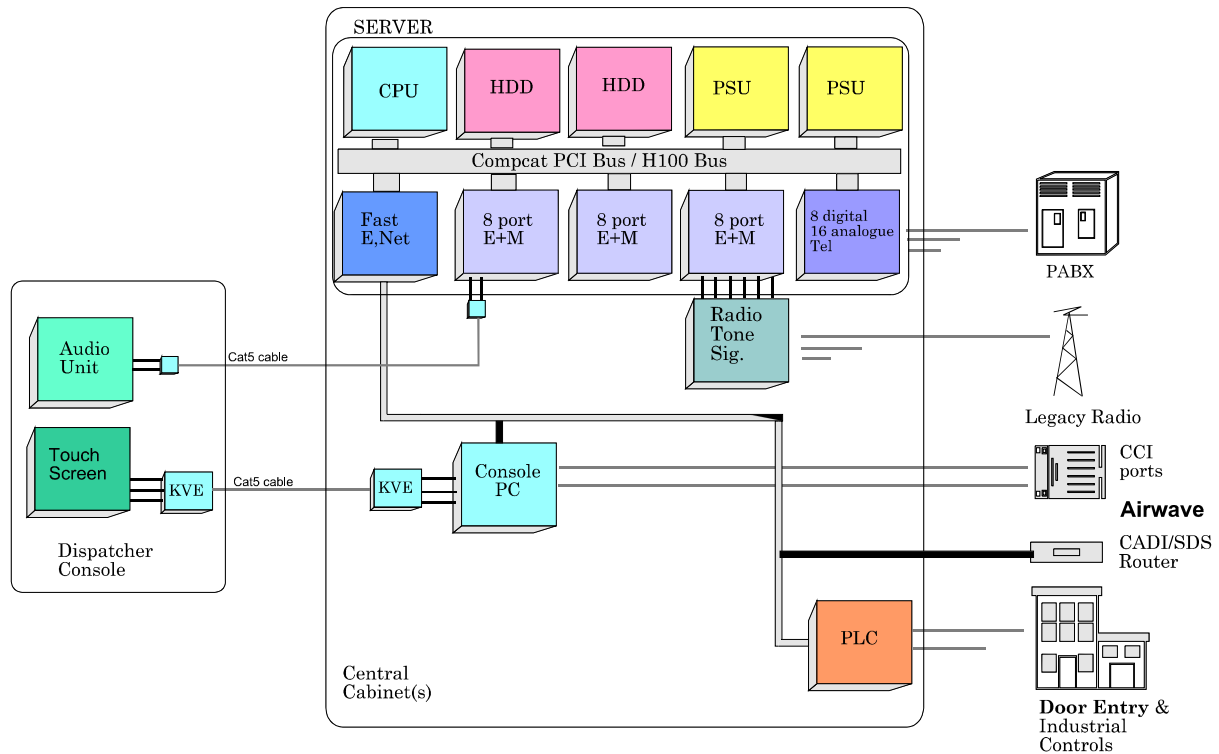
Show each lines or groups, expand groups to lines, make hot keys. Automatic selection of next available line. Call stacking with display, Caller Identity. Dialling from onscreen keypad or directory. Recall and * and # functions for PABX lines. Last number redial. Hold, including hold stack, Displays transferred calls. Monitoring of calls in progress. Supervised & unsupervised call transfer. Monitoring of calls transferred.

Intrude on calls. Displays calls on Hold.

Control of Conventional Radio

Display up to 10 channels at time
Select and PTT, Monitor, Talk through
Connect and Patch, Channel change*
Bay change, Base station alarm display
Line fail indication

CX3000 ARCHITECTURE



CYFAS CX3000 ICCS

SPECIFICATIONS

Operators Station

Pentium Class >2GHz PC
 Windows XP pro SP2
 15" or 17" Flat touch screen
 Integrated Loud Speakers
 Custom audio switching unit
 Headset with Microphone
 PTT footswitch

Power 230 V ac at ~200 VA

Local Recorder

Instant 15 minute replay at each position

Central Cabinet

Supplied in fully enclosed central cabinet
 Dims (typically) 600 x 800x 2000 w, d, h
 Power 230 V ac at ~800 VA

Main Switch Engine

19" rack mounted RAID1 server
 Dual hot swap power supplies and hard
 Drives

SQL Server 2000 TM Microsoft Corp.

Intel based DSP signal processing

Telephony

DSP based multi-processor architecture
 PABX Digital Integration with
 Siemens: Realitis, Hi-Com, Hi-pathTM Siemens
 Nortel: MeridianTM Nortel
 Analogue Integration with
 2 wire PSTN & PABX lines & private circuits

TETRA (Airwave)

Direct CCI connect or port pooling options
 Centracom Gold Elite API Q303TM Motorola
 For Airwave Version 5.1 compatibility
 SDS & CADI support

VHF/UHF radio

Local and remote keying
 600 ohm 4 wire lines with E&M support
 FFSK and Tone signalling for remote radio
 EEA 5 tone selcall and DTMF ANI / calling
 options



Cyfas Systems Ltd
 Unit 5 Ivel Road Business Park
 1 Ivel Road
 Shefford
 Beds SG17 5JU

Tel: +44 1462 818880
 Fax: +44 1462 814070
 Email: sales@cyfas.co.uk
 Web: www.cyfas.co.uk